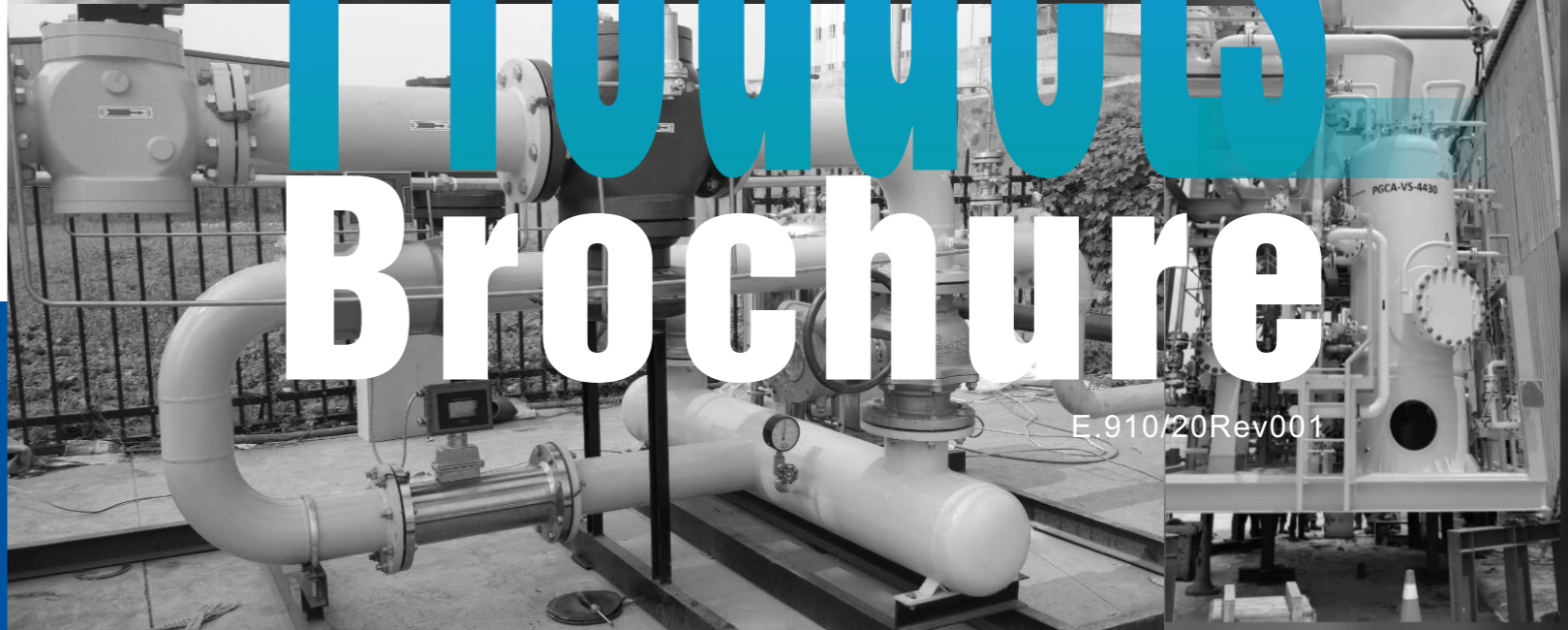




Products

Brochure



E.910/20Rev001

ELECTROMAGNETIC FLOW METER



DESCRIPTION

Electromagnetic flow meter is flexible and universally applicable flow measurement systems. It is a velocity flow meter which does not have any moving parts and is ideal for conductive fluid.

APPLICATIONS

- Water treatment
- Water distribution
- Industrial waste water
- Industrial processes
- Slurries
- Irrigation
- Pumping station
- Dams
- Mining

FEATURES

- High accuracy and wide flow rate range measurement
- 99.999% pure copper for coil
- No mechanically moving parts
- IP68 proof, Maximum 3 meter immersion in water
- Drinking water approvals
- FDA approvals
- Bi-directional measure
- Wide choice of materials for housing and flanges including SS304 and SS316
- Advanced wire-winding technology, No drift zero point
- Robust, fully welded and potted construction
- In house wet calibration for all diameters (up to DN3000)
- Three electrodes
- ≥3mm thickness PTFE liner, durable service life

TECHNICAL DATA

Diameter	PTFE: DN2.5-DN1000
	Rubber: DN50-DN3000
Flow Direction	Positive; Negative
Repeatability Error	±0.1%
Accuracy	±0.5% of rate; ±0.2% of rate
Medium Temperature	Rubber liner: -20...+60°C
	PTFE liner: -20...+120 °C
	PFA: -20...+180°C
Velocity	0.3-10m/s
Ambient Temperature	-20...+60 °C
Relative Humidity	5%~95%
Power Consumption	<20W
Protection	IP 65; IP 68 (Remote Type)



Y- Compact Type

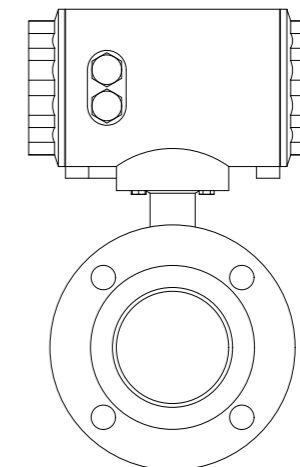
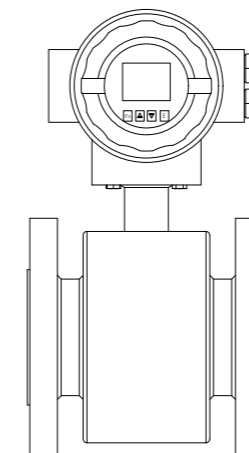


B- Compact Type



L- Remote Type

TECHNICAL DRAWINGS



ELECTROMAGNETIC FLOW METER

MODEL SELECTION

Model	Suffix Code											Description
XXX-	①	②	③	④	⑤	⑥	-⑦	⑧	⑨	⑩	⑪	Electromagnetic Flow Meter
Type	B											B type
	Y											Y type (optional explosion proof)
	H											Energy Meter (PT1000 temperature sensors)
Diameter	XXX											Stand for diameter 0006: DN6; 0015: DN15 0100: DN100; 2200: DN2200
Structure	S											Compact Type with local display
	L											Remote Type; 10 meters cable default
Electrode Material	M											SS316L
	T											Titanium
	D											Tantalum
	H											Hastelloy C
	P											Platinum-Iridium
Signal Output	0											No Output
	1											4-20mA / Pulse
Liner Material	X											Rubber
	P											Polyurethane
	F											PTFE
	A											PFA
Power Supply	-0											110-240V AC
	-1											24V DC (20-36V DC)
	-2											Battery Power Supply
Communication	0											No Communication
	1											Modbus RS485
	2											HART
	3											GPRS
Sensor Grounding	0											No Grounding
	1											Grounding Ring
	2											Grounding Electrode
Connection	DXX											D16: DIN PN16 Flange ; D25: DIN PN25 Flange...
	AXX											A15: ANSI150# Flange; A30: ANSI 300# Flange...
	JXX											J10: JIS 10K Flange; J20: JIS 20K Flange...
	XXX											On request
Body Material	CS											Carbon Steel
	S4											Stainless Steel 304

FLOW RANGE

Diameter		Flow Rate (m³/h)		
		V=0.3m/s	V=6m/s	V=10m/s
mm	Inch	Min	Calibrated	Max
2.5	1/10"	0.0053	0.106	0.177
4	1/8"	0.014	0.271	0.452
6	1/4"	0.03	0.6	1
10	3/8"	0.1	1.7	3
15	1/2"	0.2	4	6
20	3/4"	0.3	7	11
25	1"	0.5	11	18
32	1-1/4"	0.9	17	29
40	1-1/2"	1	27	45
50	2"	2	42	71
65	2-1/2"	4	72	120
80	3"	5	109	181
100	4"	8	170	283
125	5"	13	265	442
150	6"	20	382	636
200	8"	34	679	1131
250	10"	53	1060	1767
300	12"	76	1527	2545
350	14"	104	2078	3465
400	16"	136	2714	4524
450	18"	171	3435	5726
500	20"	212	4241	7069
600	24"	305	6107	10179
700	28"	415	8310	13850
800	32"	542	10860	18100
900	36"	662	13740	22900
1000	40"	848	16962	28270

SANITARY MAGNETIC FLOW METER

MODEL SELECTION

Model	Suffix Code									Description	
	1	2	3	4	5	-6	7	8	9		
XXX-											Sanitary Magnetic Flow Meter
Diameter	XXXX										Stand for diameter 0010: DN10 0100: DN100
Structure	S										Compact Type with local display
	L										Remote Type; 10 meters cable default
Electrode Material		M									SS316L
		T									Titanium
		D									Tantalum
		H									Hastelloy C
		P									Platinum-Iridium
Signal Output				0							No Output
				1							4-20mA / Pulse
Liner Material					F						PTFE
					A						PFA
Power Supply						-0					110-240V AC
						-1					24V DC (20-36V DC)
						-2					Battery Power Supply
Communication							0				No Communication
							1				Modbus RS485
							2				HART
							3				GPRS
Sensor Grounding							0				No Grounding
								2			Grounding Electrode
Body Material									S4		Stainless Steel 304



INSERTION MAGNETIC FLOW METER

MODEL SELECTION

Model	Suffix Code							Description
	1	2	3	4	-5	6	7	
XXX-								Insertion Magnetic Flow Meter
Diameter	XXXX							Stand for diameter 0100: DN100 3000: DN3000
Structure	S							Compact type
	L							Remote type
Electrode Material		M						SS316L
		T						Titanium
		D						Tantalum
		H						Hastelloy C
		P						Platinum-Iridium
Signal output				0				No Output
				1				4-20mA / Pulse
Power Supply					-0			110-240V AC
					-1			24V DC (20-36V DC)
					-2			Battery Power Supply
Communication						0		No Communication
						1		Modbus RS485
						2		HART
						3		GPRS
Connection							B	Ball Valve Type

